

**Honeywell**

# **ScanPal EDA10A Enterprise Tablet Accessories**

---

**User Guide**

---

## Disclaimer

Honeywell International Inc. (“HII”) reserves the right to make changes in specifications and other information contained in this document without prior notice, and the reader should in all cases consult HII to determine whether any such changes have been made. HII makes no representation or warranties regarding the information provided in this publication.

HII shall not be liable for technical or editorial errors or omissions contained herein; nor for incidental or consequential damages resulting from the furnishing, performance, or use of this material. HII disclaims all responsibility for the selection and use of software and/or hardware to achieve intended results.

This document contains proprietary information that is protected by copyright. All rights are reserved. No part of this document may be photocopied, reproduced, or translated into another language without the prior written consent of HII.

Copyright © 2024 Honeywell Group of Companies. All rights reserved.

Web Address: [sps.honeywell.com](https://sps.honeywell.com)

## Trademarks

Other product names mentioned in this manual may be trademarks or registered trademarks of their respective companies and are the property of their respective owners.

## Patents

For patent information, see [www.hsmpats.com](https://www.hsmpats.com).

# TABLE OF CONTENTS

Customer Support .....	7
Technical Assistance .....	7
Product Service and Repair .....	7
Limited Warranty .....	7
<b>Chapter 1 - Introduction .....</b>	<b>1</b>
List of Accessories .....	2
Agency Models.....	2
<b>Chapter 2 - Protective Boot.....</b>	<b>3</b>
Out of the Box.....	3
Attach the Protective Boot.....	4
Remove Protective Boot.....	5
<b>Chapter 3 - Hand Strap.....</b>	<b>7</b>
Features .....	7
Out of the Box .....	8
Attach the Hand Strap.....	8
Remove Hand Strap .....	9
Scan Barcodes.....	10
Replace the Battery .....	10
<b>Chapter 4 - Single Charging Dock .....</b>	<b>13</b>
Features .....	13

Out of the Box.....	14
Remove Adapter Cup.....	15
Connect Power.....	15
Charge the Battery Pack .....	15

## **Chapter 5 - Display Dock ..... 17**

Features.....	17
Out of the Box.....	18
Remove Adapter Cup.....	19
Dock Connectors.....	19
Connect Power .....	19
Connect to Monitor .....	20
Connect to an Ethernet Network.....	20
Connect to a USB Device.....	20
Status LED.....	20
Insert Computer into the Dock.....	20
Configure the Display Dock Settings.....	21
Set Display Dock Settings.....	22
Set Monitor Settings .....	22
Set Peripheral Settings .....	22
Set Mode Settings.....	23
Connected Devices .....	23
Monitor Connections.....	23
USB Devices .....	24
Clean the Dock.....	24

## **Chapter 6 - Quad Bay Charging Base ..... 25**

Features.....	25
Out of the Box.....	26
Remove Adapter Cup.....	26
Connect Power.....	27
Charge the Battery Pack .....	27

<b>Chapter 7 - Quad Battery Charger.....</b>	<b>29</b>
Features .....	29
Out of the Box.....	30
Connect Power .....	30
Charge the Battery Pack.....	31
Remove the Battery Pack .....	32
<b>Chapter 8 - Mounting Solutions.....</b>	<b>33</b>
VESA Mount .....	33
Features.....	33
Out of the Box .....	34
Installing the VESA Plate.....	34
<b>Chapter 9 - Mount the Dock.....</b>	<b>35</b>
Mount a Dock.....	35



# Customer Support

## Technical Assistance

To search our knowledge base for a solution or to log in to the Technical Support portal and report a problem, go to [sps.honeywell.com](https://sps.honeywell.com).

## Product Service and Repair

Honeywell International Inc. provides service for all of its products through service centers throughout the world. Go to [sps.honeywell.com](https://sps.honeywell.com) and select Support to find a service center near you or to get a Return Material Authorization number (RMA #) before returning a product.

## Limited Warranty

For warranty information, go to [sps.honeywell.com](https://sps.honeywell.com) and select **Support > Productivity > Warranties**.





# INTRODUCTION

Honeywell offers a full range of accessories for the ScanPal EDA10A Enterprise tablet, including:

- Protective Boot (see page 3)
- Rotating Hand Strap (see page 7)
- Single Charging Dock (see page 13)
- Display Dock (see page 17)
- Quad Bay Charging Base (see page 25)
- Quad Battery Charger (see page 29)
- Mounting Solutions (see page 33)



**Caution:** We recommend the use of Honeywell accessories and power adapters. Use of any non-Honeywell accessories or power adapters may cause damage not covered by the warranty.

**Mise en garde :** Il est recommandé d'utiliser les périphériques, les cordons d'alimentation et les adaptateurs secteur conçus par Honeywell. L'utilisation de tout périphérique, cordon d'alimentation ou adaptateur secteur d'une autre marque est susceptible de provoquer des dommages non couverts par la garantie.



**Caution:** Make sure that all components are dry prior to using the computers and batteries with accessories. Using wet components may cause damage not covered by the warranty.

**Mise en garde :** Assurez-vous que tous les composants sont secs avant de connecter les terminaux/batteries à des périphériques. L'insertion de composants humides risque de provoquer des dommages non couverts par la garantie.

To learn about Battery Maintenance for Portable Devices, go to [honeywell.com/PSS-BatteryMaintenance](https://honeywell.com/PSS-BatteryMaintenance).

# List of Accessories

For a complete list of accessories for your mobile computer and their part numbers see the *Accessory Guide* for your device, available for download at [sps.honeywell.com](http://sps.honeywell.com).

Contact your local sales representative for ordering information.

<b>Accessory</b>	<b>Part Number</b>
<b>Protective Boot</b>	EDA10A-RB-0
<b>Single Charging Dock</b>	EDA10A-SC-R
<b>Display Dock</b>	EDA10A-DB-x
<b>Quad Bay Charging Base</b>	EDA10A-CB
<b>Quad Battery Charger</b>	EDA10A-QBC
<b>Adapter Cup</b>	EDA10A-ADC
<b>Rotating Hand Strap</b>	EDA10A-HS-1PK
x = Kit variations. See product Accessory Guide for additional details.	

## Agency Models

EDA10A-DB, EDA10A-SC, EDA10A-QBC, EDA10A-CB

# PROTECTIVE BOOT

Honeywell offers the following rubber protective boot for use with the EDA10A Enterprise tablet:

- EDA10A-RB-0

The protective boot can be used with an EDA10A tablet with the Hand Strap (EDA10A-HS-1PK) attached.

## Out of the Box

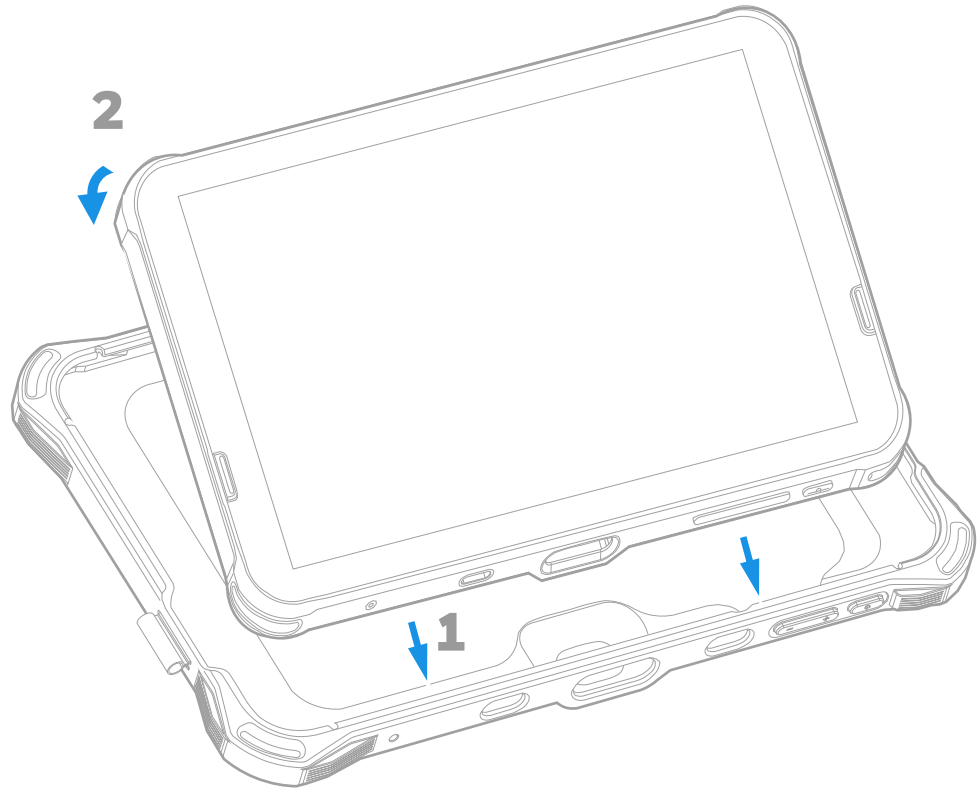
Make sure that your shipping box contains the following:

- Protective Boot (EDA10A-RB-0)

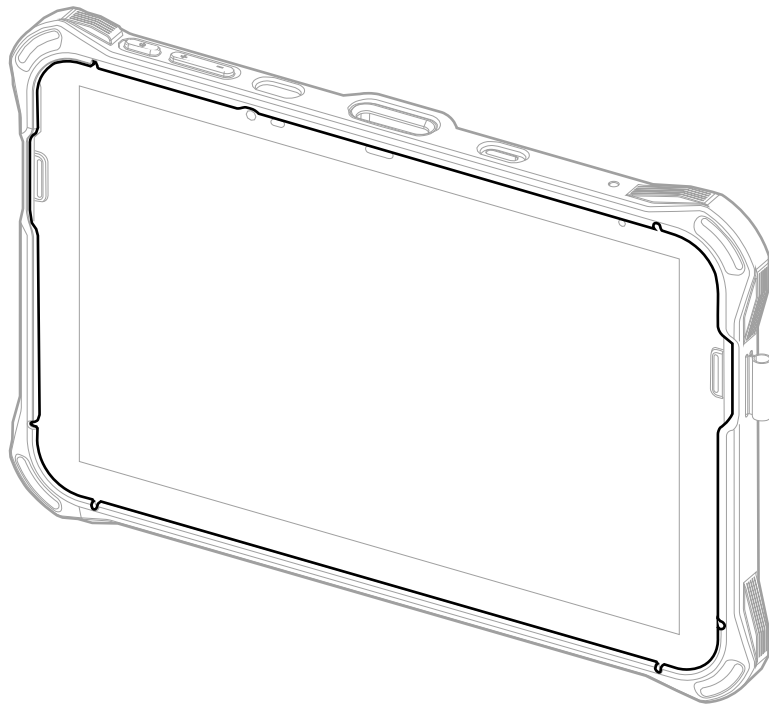
If any items are missing or appear damaged, contact your Customer Account Representative. Keep the original packaging in the event that you need to return the Protective Boot.

# Attach the Protective Boot

1. Insert the computer into the top of the boot and press down evenly.



2. Verify that the mobile computer fits securely in the protective boot.



# Remove Protective Boot

**Note:** *The protective boot does not need to be removed for battery replacement or charging with a compatible base (see page 2).*

Routinely inspect the protective boot for damage, and replace if needed.

1. Hold the unit on both sides with the screen facing toward you. Use your thumbs to apply even pressure to the upper lip of the boot.
2. Apply gentle pressure to the back of the unit to release the top of the unit from the boot.
3. Lift the unit up and out of the bottom of the boot.

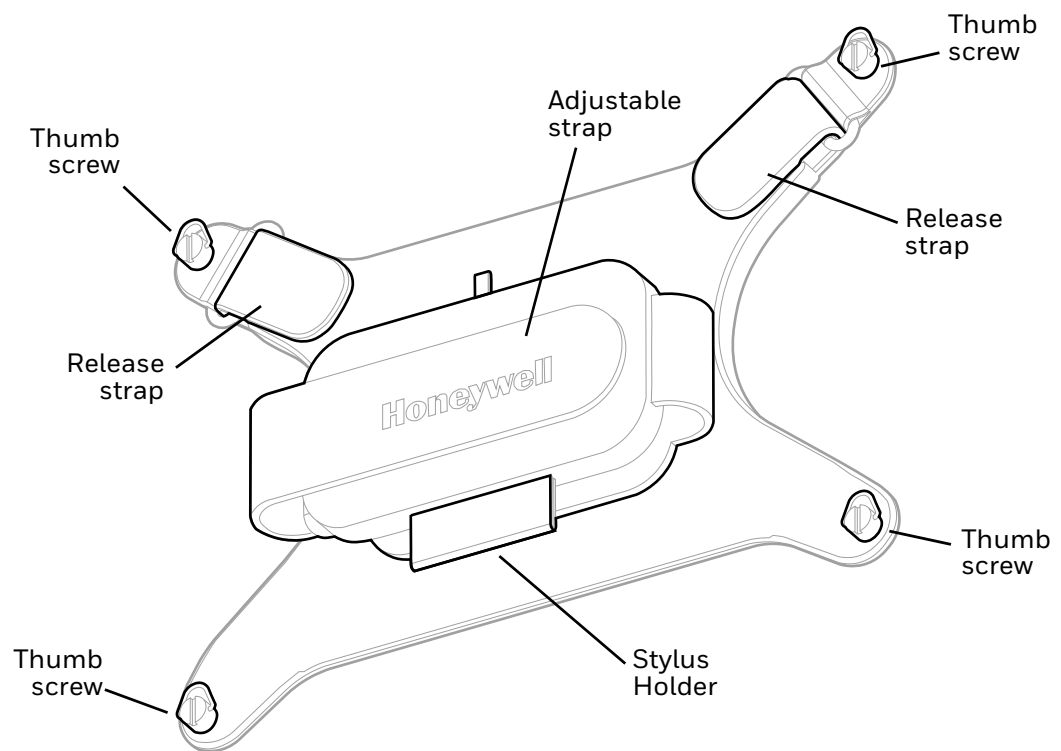


## HAND STRAP

The EDA10A Rotating Hand Strap (EDA10A-HS-1PK) can be used with the EDA10A Enterprise tablet to allow one-handed operation. The rotating hand strap can be used with an EDA10A tablet with or without the Protective Boot (EDA10A-RB-O).

The hand strap allows the tablet to rotate 360 degrees.

## Features



# Out of the Box

Make sure that your shipping box contains the following:

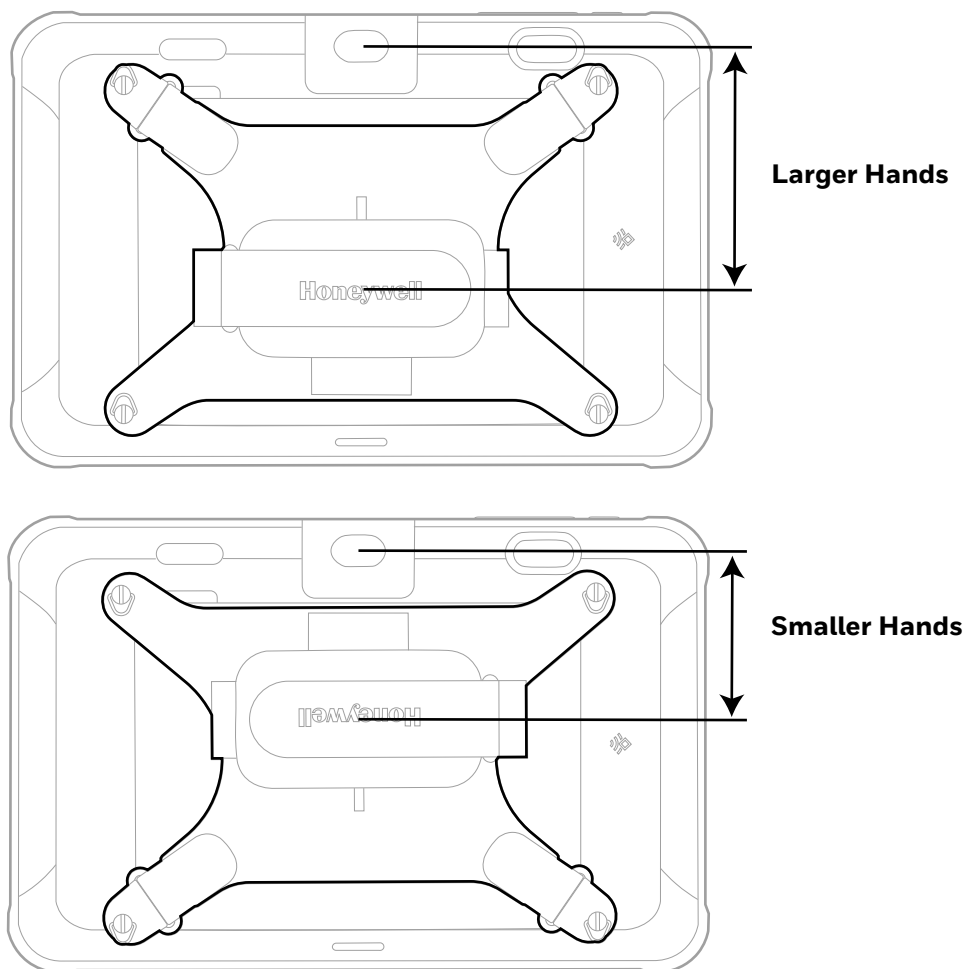
- Rotating Hand Strap (EDA10A-HS-1PK)
- Five D-ring thumb screws

If any items are missing or appear damaged, contact your Customer Account Representative. Keep the original packaging in the event that you need to return the Rotating Hand Strap or if you want to store the hand strap while not in use.

# Attach the Hand Strap

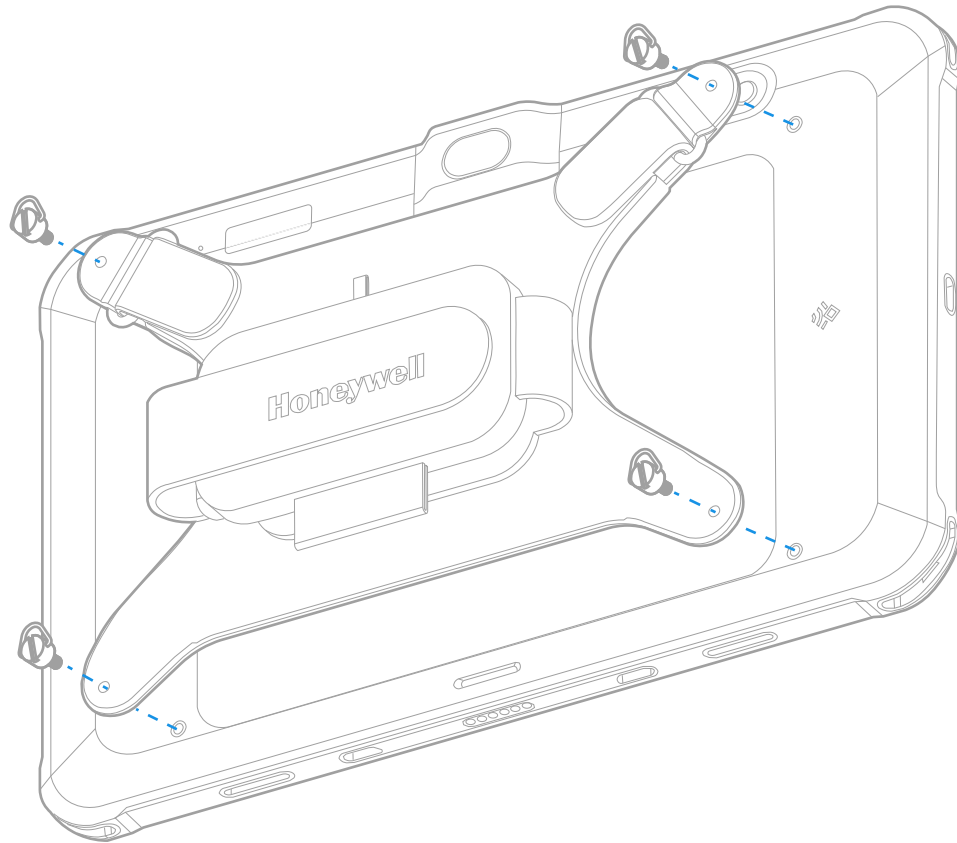
No tools are required to attach the hand strap.

The hand strap can be attached to the EDA10A tablet in two positions to accommodate different hand sizes. For larger hand sizes, attach the hand strap with the release straps at the top. For smaller hand sizes, attach the hand strap with the release straps at the bottom.





1. Align the holes in the hand strap with the holes on the back of the tablet.



2. Insert a D-ring thumb screw into each hole and hand tighten.

## Remove Hand Strap

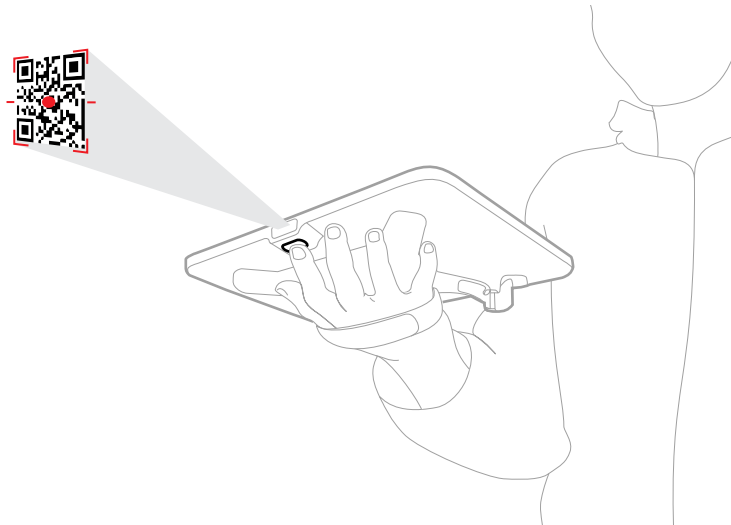
To remove the hand strap, unscrew the four D-ring thumb screws.

## Scan Barcodes

While holding the tablet with the hand strap, the user can tap the rear touch key to scan barcodes.

By default, the touch key is turned off. The **Touch Key** setting must be turned on in **Settings > Honeywell Settings > Touch Key** or by swiping down from the top of the screen and tapping **Touch Key**.

Refer to the *EDA10A User Guide* for more information on device settings. The user guide can be downloaded at [sps.honeywell.com](https://sps.honeywell.com).

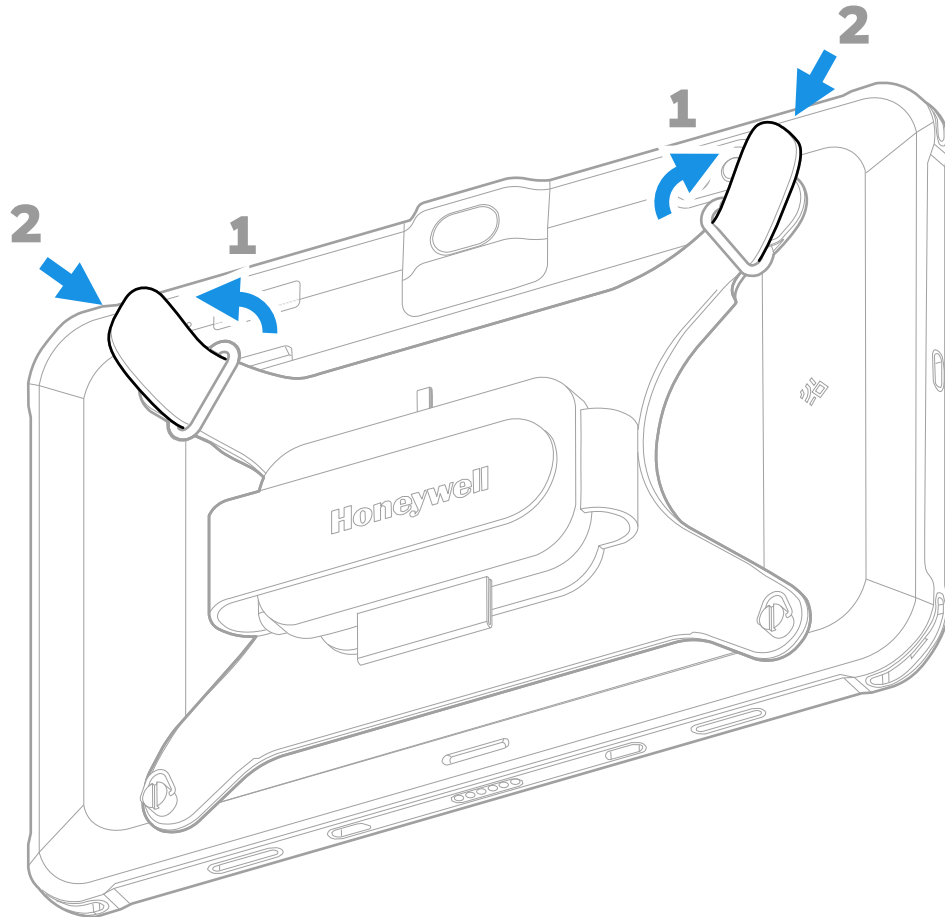


## Replace the Battery

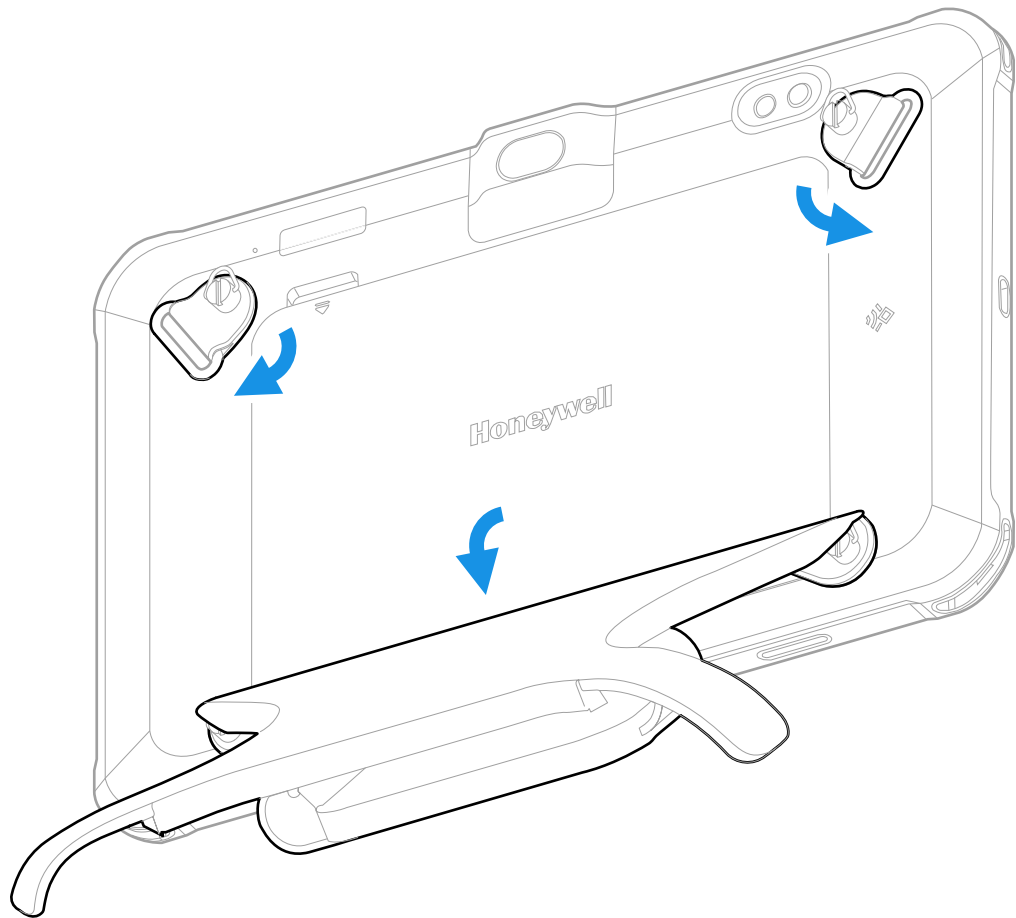
You can replace the battery in the EDA10A tablet without removing the hand strap.

Refer to the *EDA10A User Guide* for more information on battery maintenance. The user guide can be downloaded at [sps.honeywell.com](https://sps.honeywell.com).

1. Pull up the release straps then slide the straps out of the rings.



2. Fold the hand strap back to reveal the battery cover.



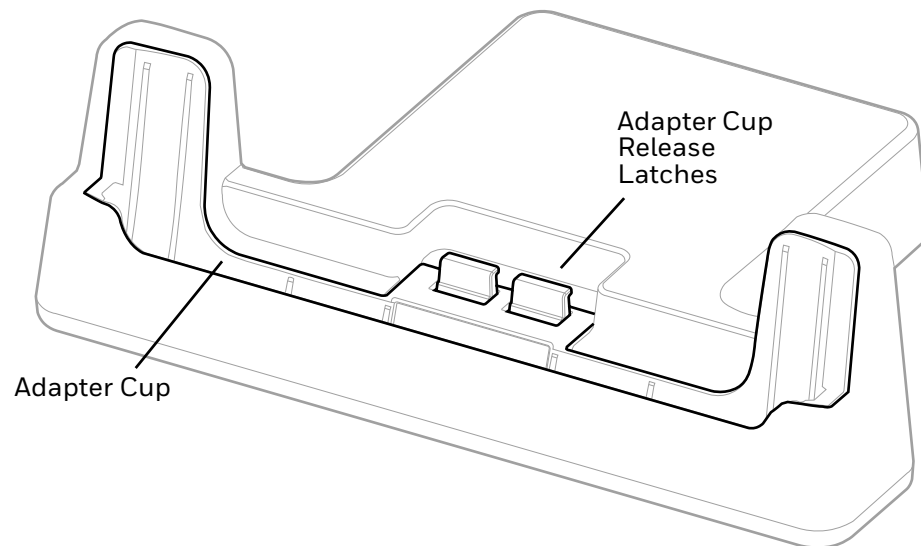
3. Move the D-rings off of the battery cover.
4. Lift and remove the battery cover.
5. Remove the battery and install the replacement battery.
6. Replace the battery cover.
7. After the battery is replaced, slide the straps back through the rings and fasten the release straps.

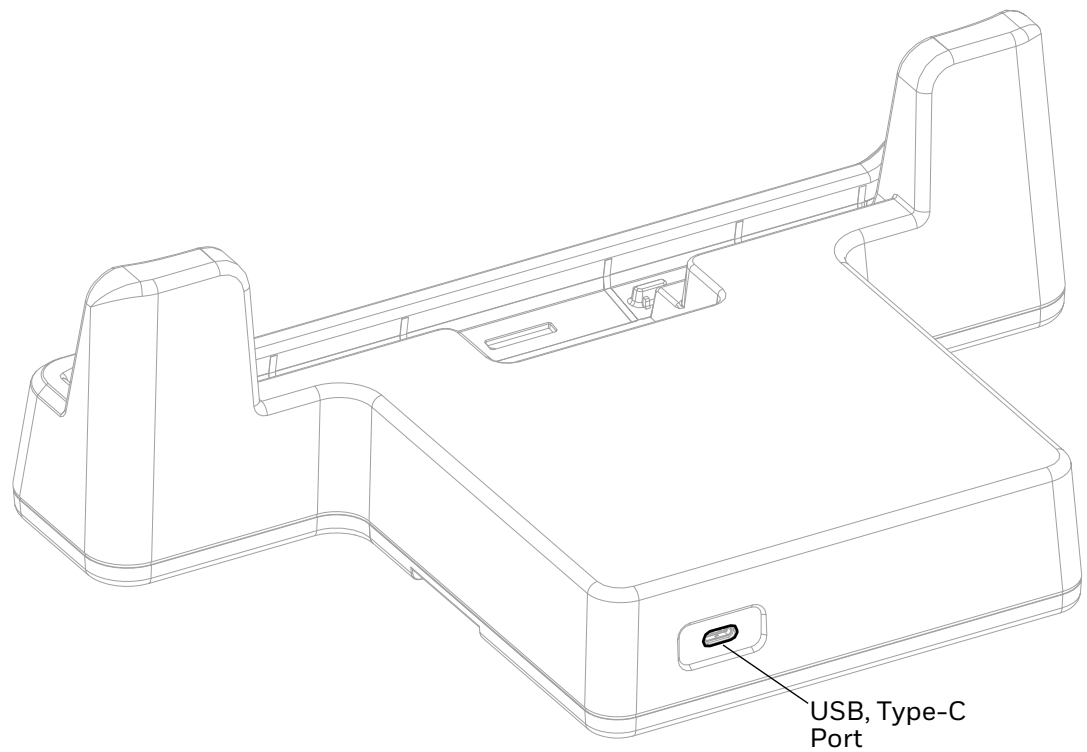
# SINGLE CHARGING DOCK

The Single Charging Dock can be used to charge one mobile computer. The EDA10A-SC-R Single Charging Dock must be used with a tablet in a protective boot (EDA10A-RB-0) or with an adapter cup (EDA10A-ADC) inserted.

The tablet can be placed in the Charging Dock with the Rotating Hand Strap (EDA10A-HS-1PK) attached.

## Features





## Out of the Box

Make sure that your shipping box contains these items:

- Single Charging Dock (EDA10A-SC-R)
- Convertible Adapter cup (EDA10A-ADC)
- USB charging cable
- 5V 2A power adapter and plugs for US, UK, AU, EU, IN
- Product documentation

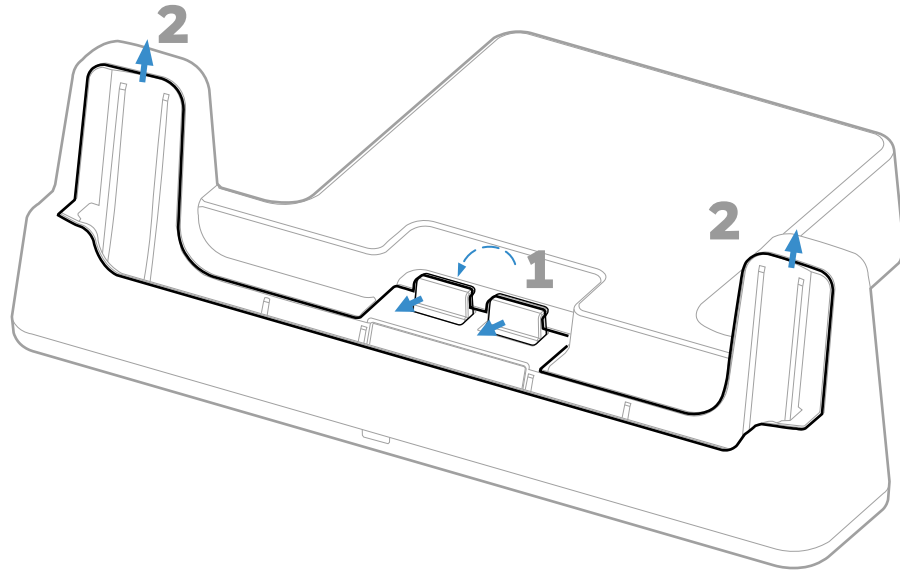
If any of these items are missing or appear damaged, contact your Customer Account Representative. Keep the original packaging in the event that you need to return the charging dock for service or if you want to store the dock while not in use.

# Remove Adapter Cup

The Charging Dock ships with the Convertible Adapter Cup installed. The Adapter Cup must be removed to use the Charging Dock with a tablet in the Protective Boot.

To remove the Adapter Cup:

1. Pull the release latches and tip the adapter cup forward to release the latch.



2. Use two hands to lift the Adapter Cup out of the dock.

# Connect Power

The single charging dock uses a power adapter available from Honeywell.

1. Insert the USB-C plug into the USB-C port on the back of the base.
2. Plug the power cord into a standard wall outlet.

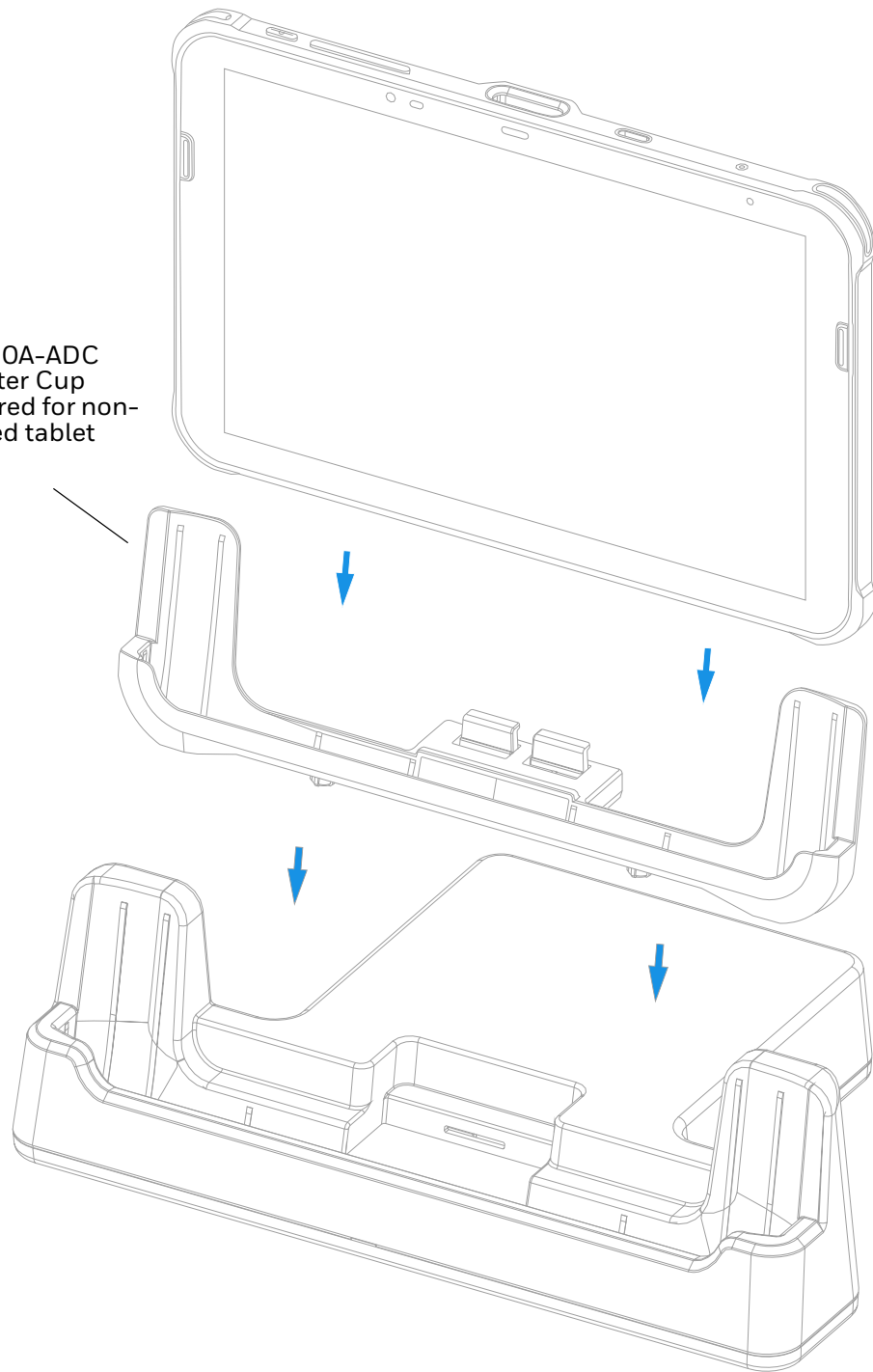
**Note:** *Inadequate source current may lengthen the charge time or prevent the battery from charging if the terminal is drawing more current than supplied by the USB port.*

# Charge the Battery Pack

If the tablet is not in a protective boot, place the Adapter Cup (EDA10A-ADC) into the charger.

Insert the tablet into the Single Charging Dock (EDA10A-SC-R). Unit will not charge unless a battery is installed.

EDA10A-ADC  
Adapter Cup  
required for non-  
booted tablet  
only.





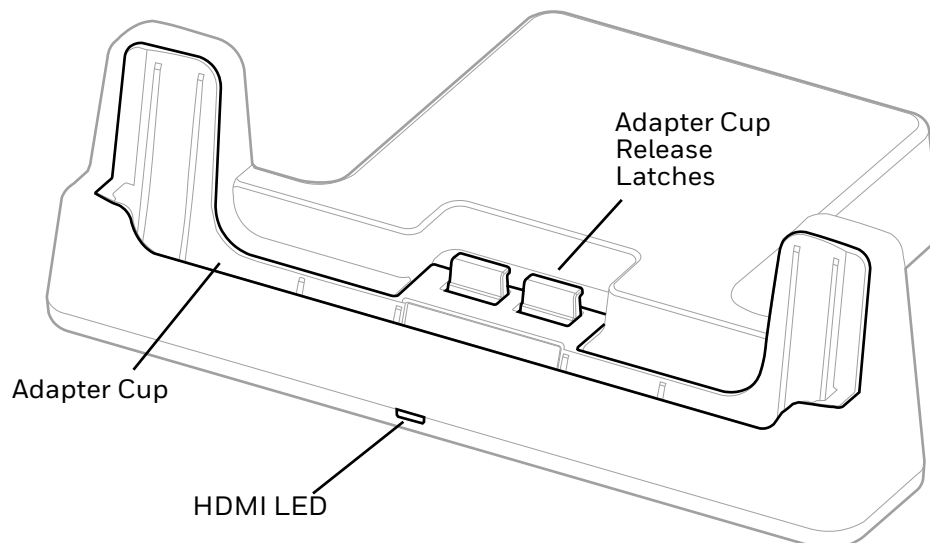
# DISPLAY DOCK

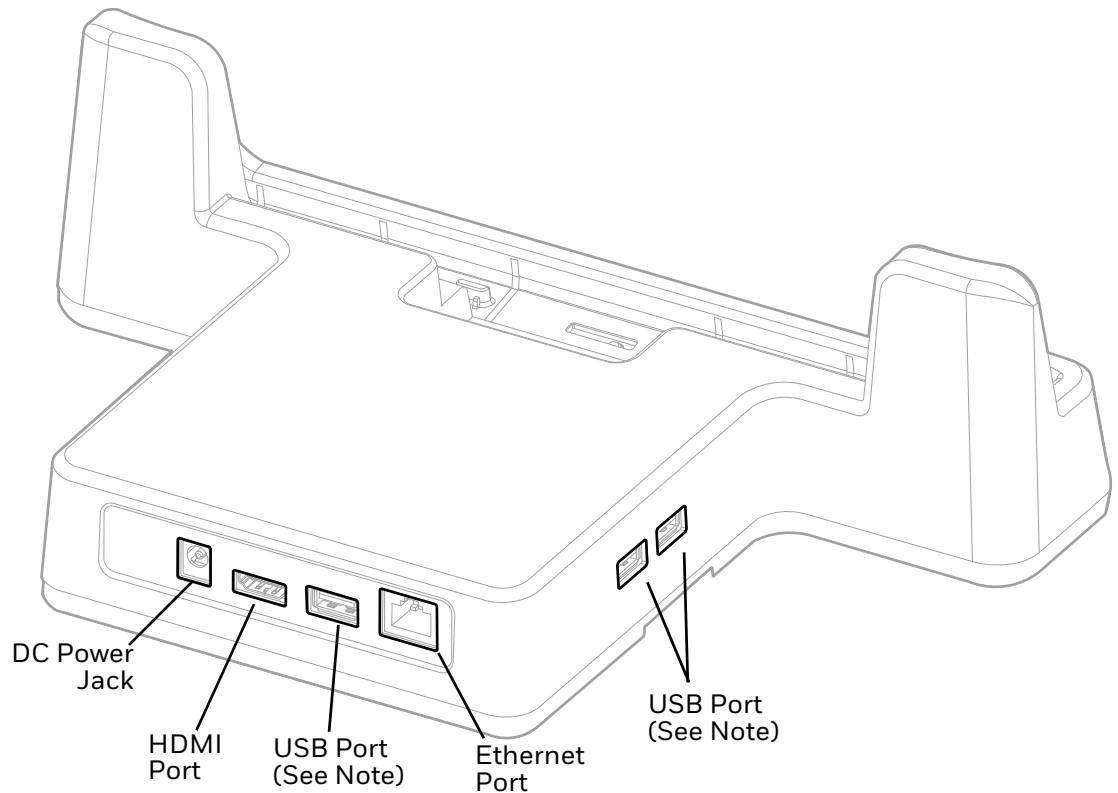
An EDA10A-DB Display Dock allows an EDA10A Enterprise tablet to become a personal computer. A monitor can be connected by HDMI, and a keyboard, mouse, and audio can be connected through the dock via the USB ports. The dock also provides an Ethernet connection.

The EDA10A-DB Display Dock must be used with a tablet in a protective boot (EDA10A-RB) or with an Adapter Cup (EDA10A-ADC) inserted.

The tablet can be placed in the Display Dock with the Rotating Hand Strap (EDA10A-HS-1PK) attached.

## Features





**Note:** The display dock supports USB direct connections only. The dock does not support USB hub connections, including keyboards with USB port(s).

## Out of the Box

Make sure that your shipping box contains these items:

- EDA10A Display Dock (EDA10A-DB)
- Convertible Adapter Cup (EDA10A-ADC)
- Power Supply and Power Cord (model dependent)
- Product documentation

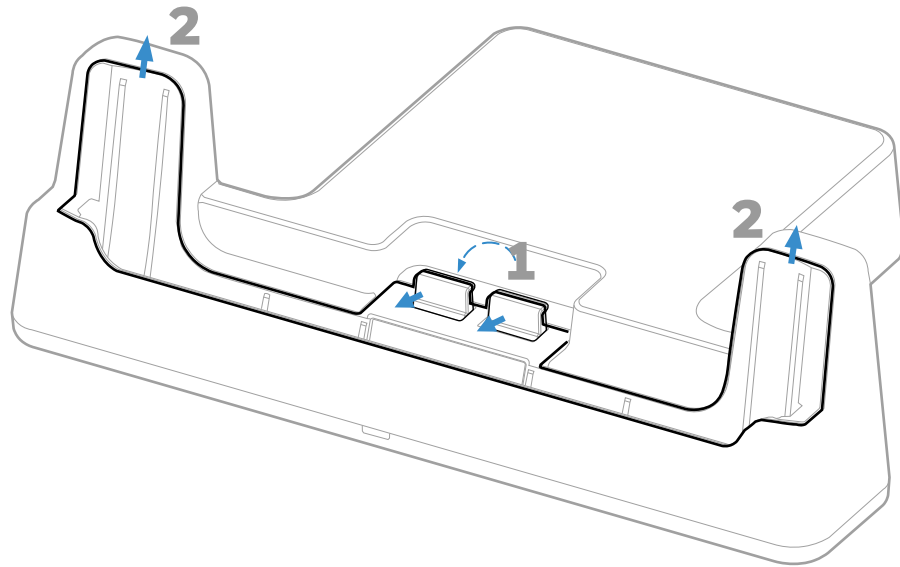
If any of these items are missing or appear damaged, contact your Customer Account Representative. Keep the original packaging in the event that you need to return the dock for service or if you want to store the dock while not in use.

# Remove Adapter Cup

The Display Dock ships with the Convertible Adapter Cup installed. The Adapter Cup must be removed to use the Charging Dock with a tablet in the Protective Boot.

To remove the Adapter Cup:

1. Pull the release latches and tip the adapter cup forward to release the latch.



2. Use two hands to lift the Adapter Cup out of the dock.

## Dock Connectors

### Connect Power

Use only a UL Listed power supply that has been qualified by Honeywell with an output rated at 12 VDC and 7 A. The power supply input rating is 100-240 VAC, 50/60 Hz. The operating temperature is -10°C to 50°C (14°F to 122°F). The maximum output of the base is 5VDC/2A.

1. Plug the power cord into the power supply.
2. Plug the power supply cable into the power jack on the back of the dock.
3. Plug the power cord into a standard wall outlet.

## Connect to Monitor

**Note:** See [Monitor Connections](#) on page 23 for a list of approved connections.

1. Plug the HDMI cable into the dock.
2. Plug the other end of the HDMI cable into the monitor.

## Connect to an Ethernet Network

1. Plug the Ethernet cable into the dock.
2. Place the computer in the dock.

**Note:** For advanced Ethernet settings, go to [sps.honeywell.com](http://sps.honeywell.com) for the EDA10A User Guide.

## Connect to a USB Device

**Note:** See [USB Devices](#) on page 24 for a list of approved USB devices.

**Note:** The dock supports USB direct connections only. The dock does not support USB hub connections, including keyboards with USB port(s).

Plug the USB type A cable into a USB port on the dock.

## Status LED

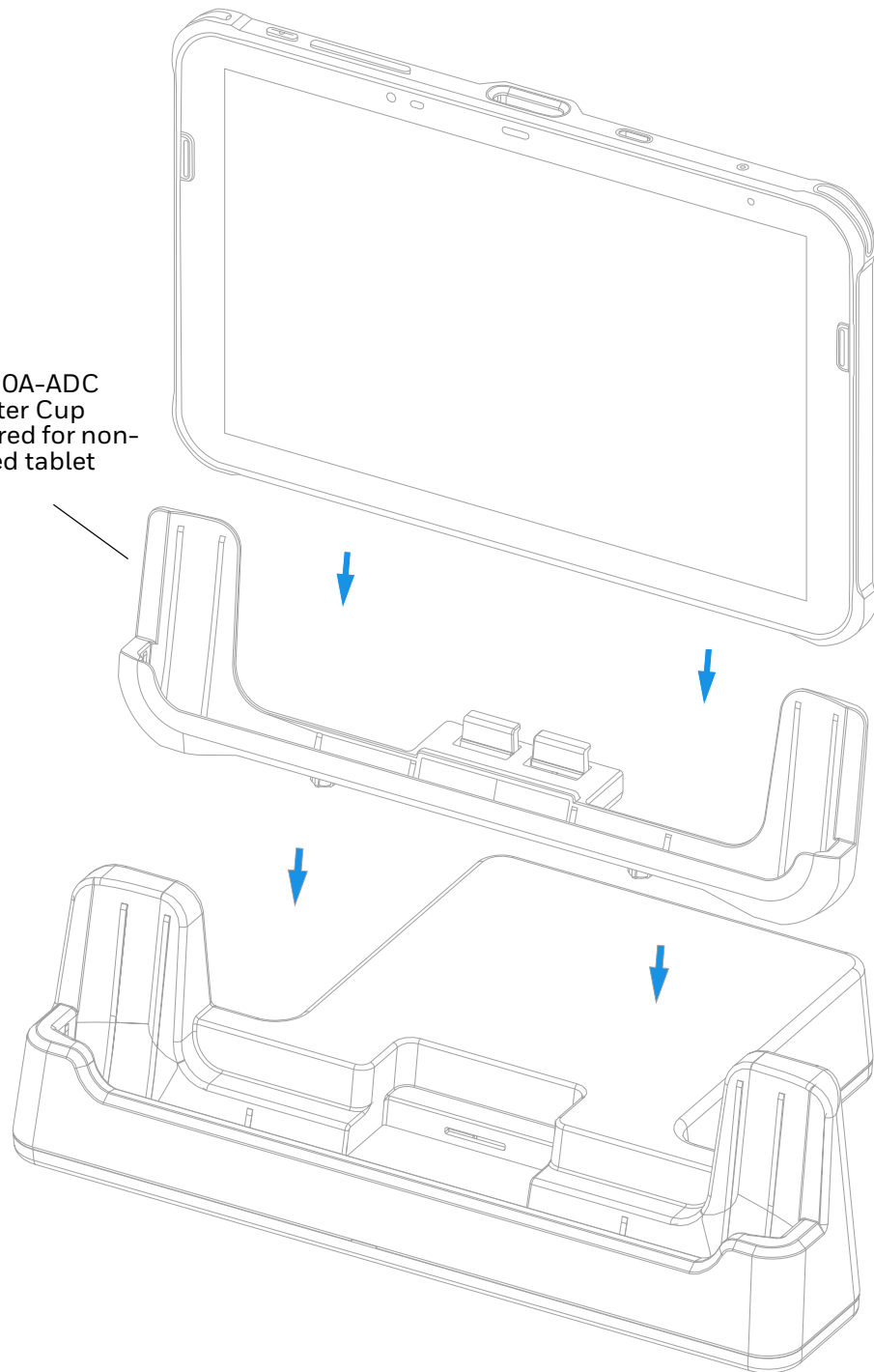
Status	Description
Constant Green	The dock is connected through HDMI.
Off	The dock is not connected or lost connection through HDMI.

## Insert Computer into the Dock

If the tablet is not in a protective boot, place the Adapter Cup (EDA10A-ADC) into the charger.

Insert the tablet into the Display Dock (EDA10A-DB). Unit will not charge unless a battery is installed.

EDA10A-ADC  
Adapter Cup  
required for non-  
booted tablet  
only.



## Configure the Display Dock Settings

You can configure the parameters on the computer for the Display Dock using the Display Dock app.

## Set Display Dock Settings

The Display Dock Settings app is available from the all apps menu under Settings.

1. Swipe up from the bottom of the Home screen to access all apps.
2. Select **Settings** > **Honeywell Settings** > **Display Dock**.

## Set Monitor Settings

1. Swipe up from the bottom of the Home screen to access all apps.
2. Tap **Settings** > **Honeywell Settings** > **Display Dock**.
3. Choose one of the following options to set the view:
  - Tap **System portrait screen**, to have the computer stay in portrait view.
  - Tap **System landscape screen**, to have the computer stay in landscape view.
4. To set the system resolution, tap **Resolution** and choose one of the available options.
5. To set the density, tap **Density** and choose one of the following options:
  - **160**
  - **240**
  - **320**
  - **400**
6. Select **Reduce backlight** to dim the device's back light when a display is connected.

## Set Peripheral Settings

1. Swipe up from the bottom of the Home screen to access all apps.
2. Tap **Settings** > **Honeywell Settings** > **Display Dock**.
3. To set the right mouse button to the back key, tap **Right mouse button** to toggle the feature on or off.

# Set Mode Settings

The Display Dock provides three mode settings. In Primary and Mirror mode, the display on the monitor plugged into the dock is the same as what is on the screen of the mobile computer. In Desktop mode, the display looks and behaves like a desktop workstation, so for example, users can have multiple apps open simultaneously on the desktop.

**Note:** *Availability of the Desktop Mode setting depends on the software version installed on the device.*

**Note:** *The Display Mode cannot be changed while the mobile computer is in the Display Dock.*

1. Swipe up from the bottom of the Home screen to access all apps.
2. Tap **Settings > Honeywell Settings > Display Dock**.
3. To set the external monitor mode:
  - Select **Primary Mode** to automatically adjust as configured in settings
  - Select **Mirror mode** to match the terminal's settings.
  - Select **Desktop Mode** to allow the mobile computer to function like a desktop workstation. The mobile device can be used as a second, separate display while in the Display Dock.
4. If Desktop Mode is selected, restart the mobile computer. The mobile computer must be restarted for the setting to take effect.

# Connected Devices

## Monitor Connections

### Supported Devices

- HDMI versions 1.4 and above
- VGA - supported through HDMI/VGA converter
- DVI - supported through HDMI/DVI converter

### Non-Supported Devices

- HDMI splitter for two monitors
- Display Port

# USB Devices

## Supported Devices

- Standard three button mouse with scroll
- Standard QWERTY keyboard without HUB/USB type A ports on the keyboard
- USB headset/USB to 3.5mm audio converter
- USB mass storage devices (thumb drives), not recommended for large transfers (over 1GB)

## Non-Supported Devices

- USB Hubs
- USB devices with additional USB type A ports

# Clean the Dock

You may need to clean the dock to keep it in good working order. Clean the dock as often as needed for the environment in which you are using the dock with a dry, soft cloth.

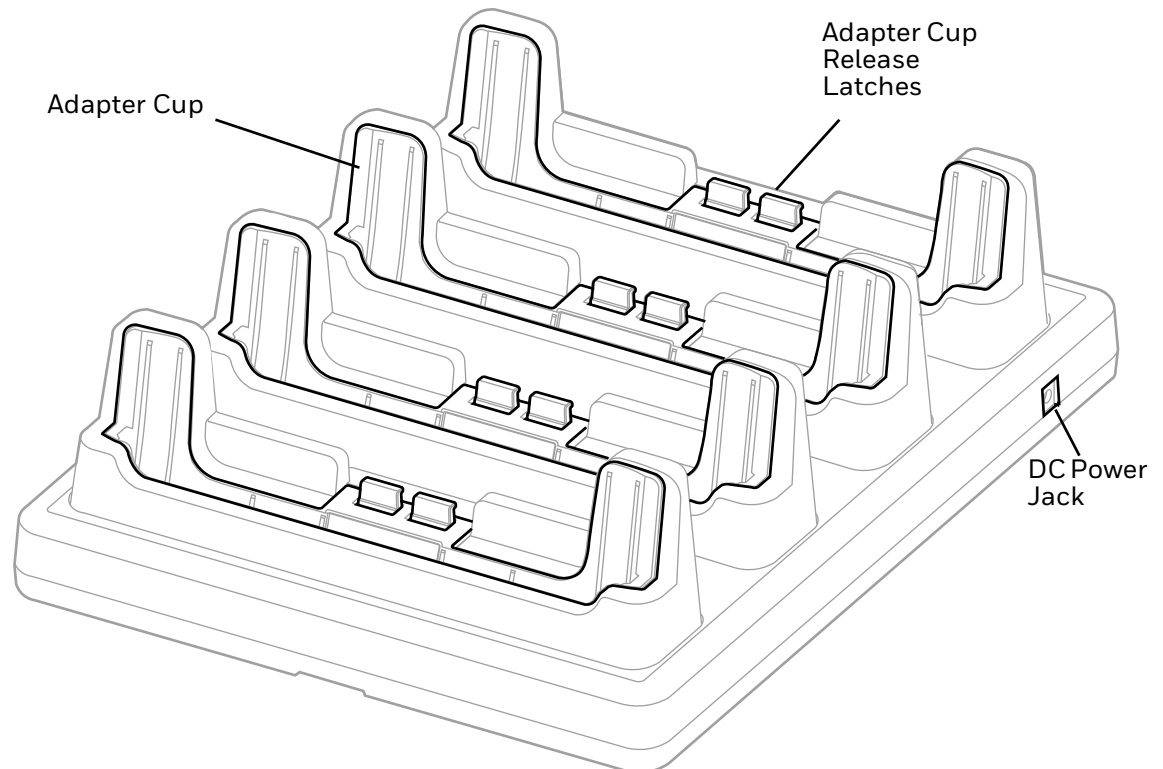


# QUAD BAY CHARGING BASE

The Quad Bay Charging Base can be used to charge one to four mobile computers. The EDA10A-CB Quad Bay Charging Dock must be used with a tablet in a protective boot (EDA10A-RB-0) or with an adapter cup (EDA10A-ADC) inserted.

The tablet can be placed in the Charging Base with the Rotating Hand Strap (EDA10A-HS-1PK) attached.

## Features



# Out of the Box

Make sure that your shipping box contains these items:

- Quad Bay Charging Base (EDA10A-CB)
- Convertible Adapter cups (EDA10A-ADC)
- Power Supply and Power Cord (model dependent)
- Product documentation

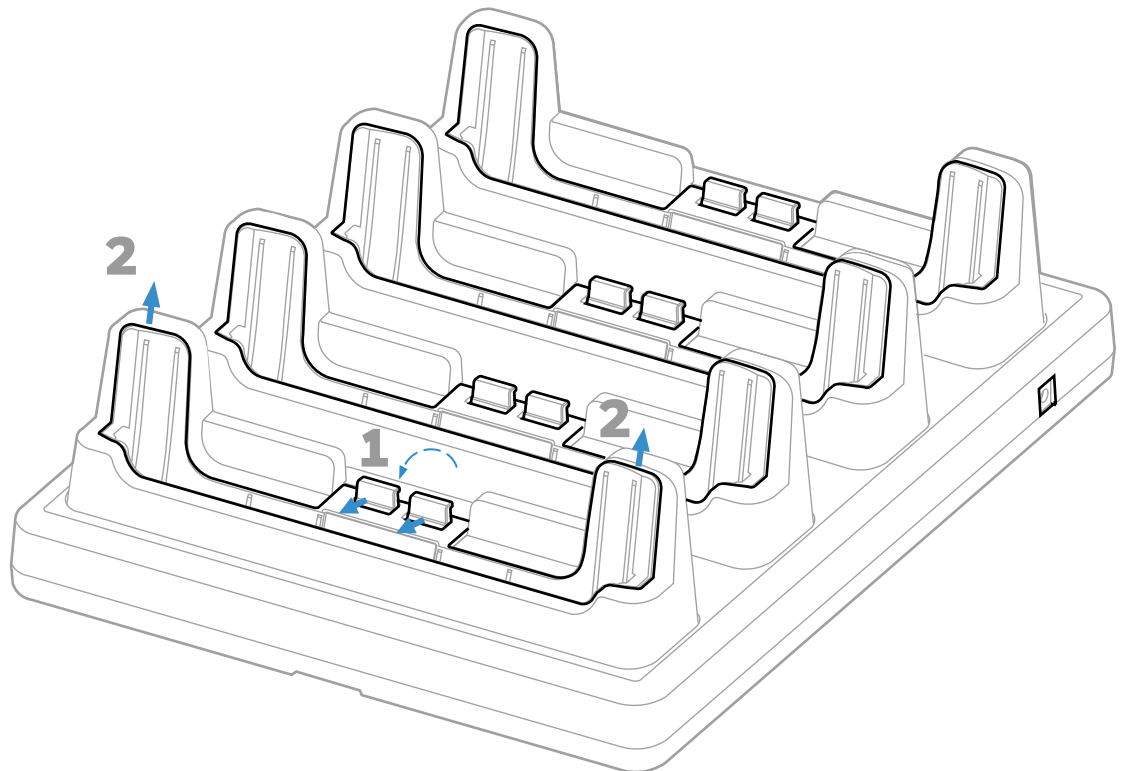
If any of these items are missing or appear damaged, contact your Customer Account Representative. Keep the original packaging in the event that you need to return the charging dock for service or if you want to store the dock while not in use.

## Remove Adapter Cup

The Charging Base ships with the Convertible Adapter Cup installed. The Adapter Cup must be removed to use the Charging Dock with a tablet in the Protective Boot.

To remove the Adapter Cup:

1. Pull the release latches and tip the adapter cup forward to release the latch.



2. Use two hands to lift the Adapter Cup out of the dock.

## Connect Power

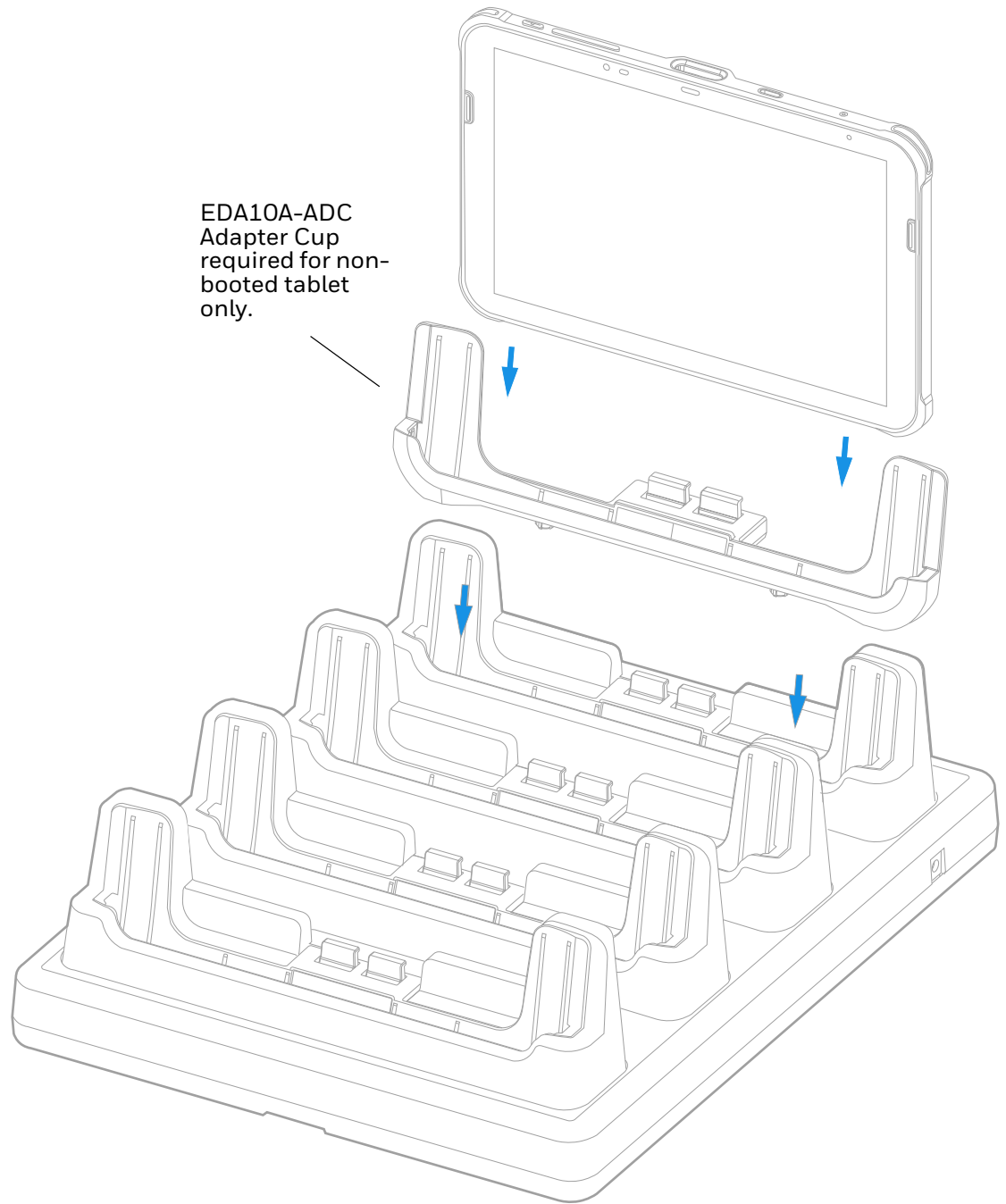
Use only a UL Listed power supply that has been qualified by Honeywell with an output rated at 12 VDC and 7 A. The power supply input rating is 100-240 VAC, 50/60 Hz. The operating temperature is -10°C to 50°C (14°F to 122°F). The maximum output of the base is 5VDC/2A.

1. Plug the power cord into the power supply.
2. Plug the power supply cable into the power jack on the back of the dock.
3. Plug the power cord into a standard wall outlet.

## Charge the Battery Pack

If the tablet is not in a protective boot, place the Adapter Cup (EDA10A-ADC) into the charger.

Insert the tablet into the Quad Bay Charging Base (EDA10A-CB). Unit will not charge unless a battery is installed.

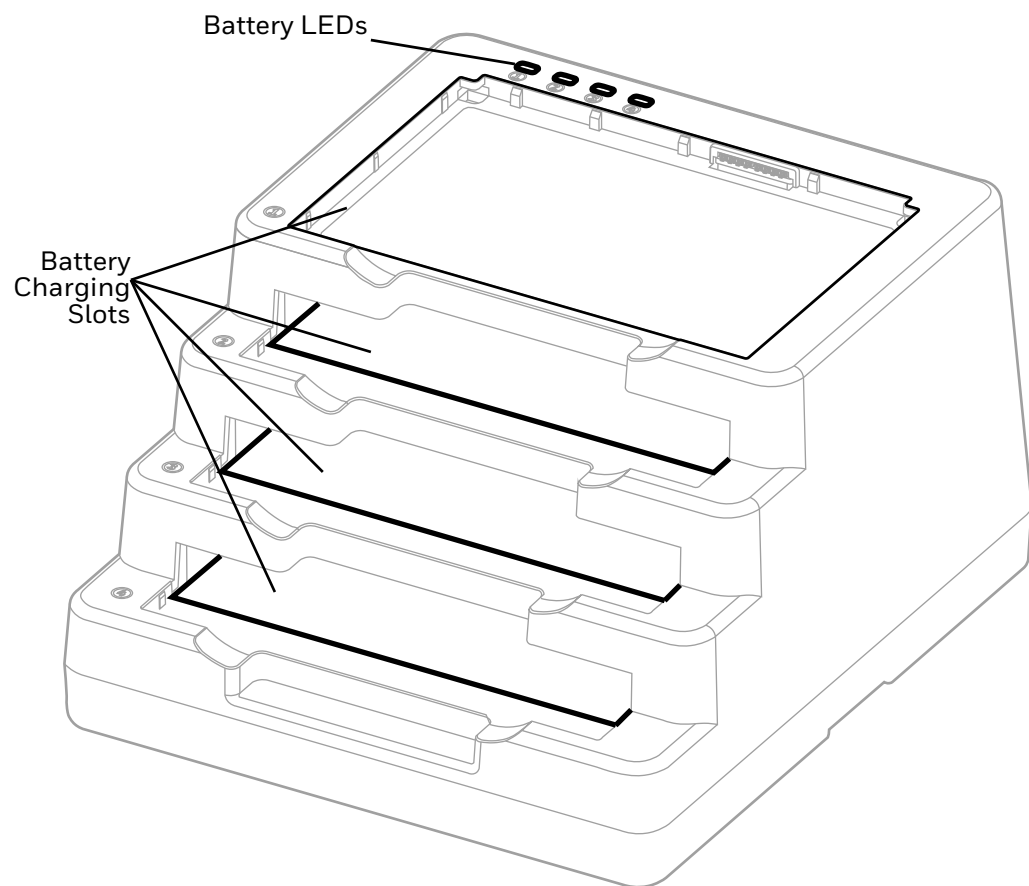


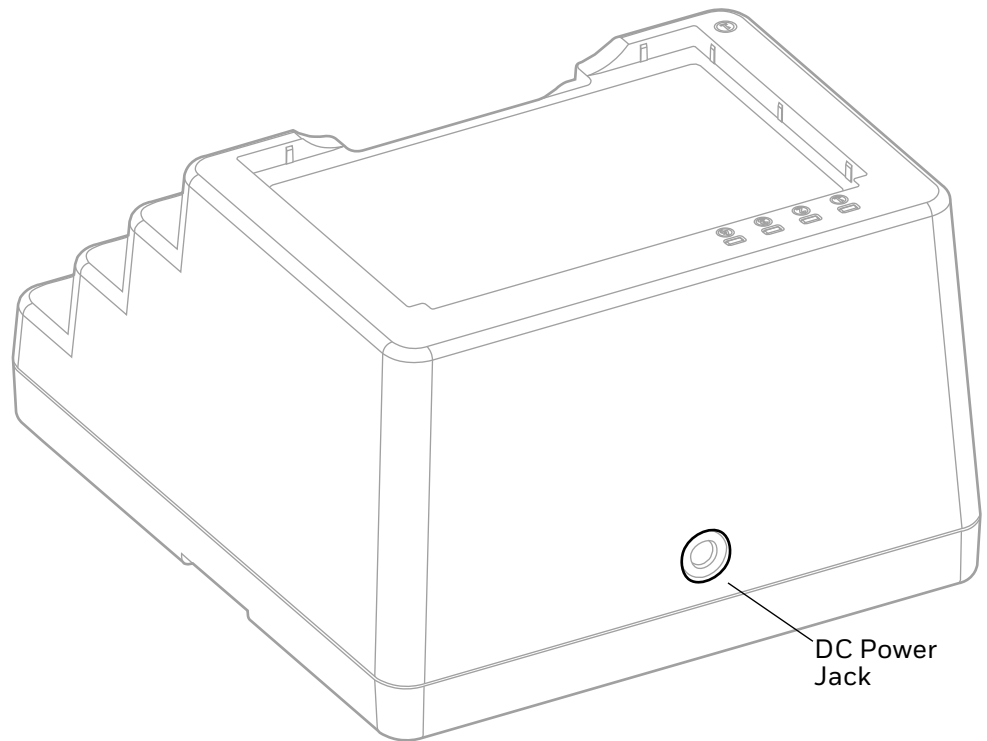
EDA10A-ADC  
Adapter Cup  
required for non-  
booted tablet  
only.

# QUAD BATTERY CHARGER

The Quad Battery Charger (EDA10A-QBC) can be used to charge one to four EDA10A batteries that have been removed from a tablet. See the EDA10A user guide for information on removing the battery.

## Features





## Out of the Box

Make sure that your shipping box contains these items:

- Quad Battery Charger (EDA10A-QBC)
- Power Supply and Power Cord (model dependent)
- Product documentation

If any of these items are missing or appear damaged, contact your Customer Account Representative. Keep the original packaging in the event that you need to return the base for service or if you want to store the charger while not in use.

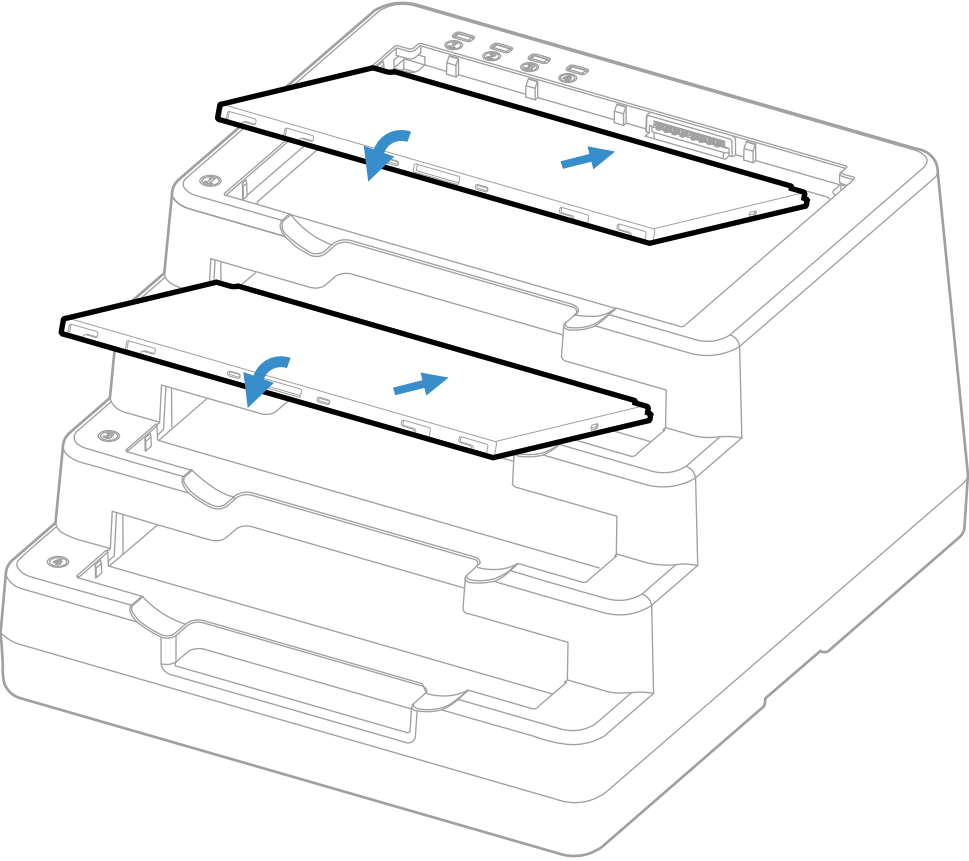
## Connect Power

Use only a UL Listed power supply that has been qualified by Honeywell with an output rated at 12 VDC and 7 A. The power supply input rating is 100-240 VAC, 50/60 Hz. The operating temperature is -10°C to 50°C (14°F to 122°F). The maximum output of the base is 5VDC/2A.

1. Plug the power cord into the power supply.
2. Plug the power supply cable into the power jack on the back of the dock.
3. Plug the power cord into a standard wall outlet.

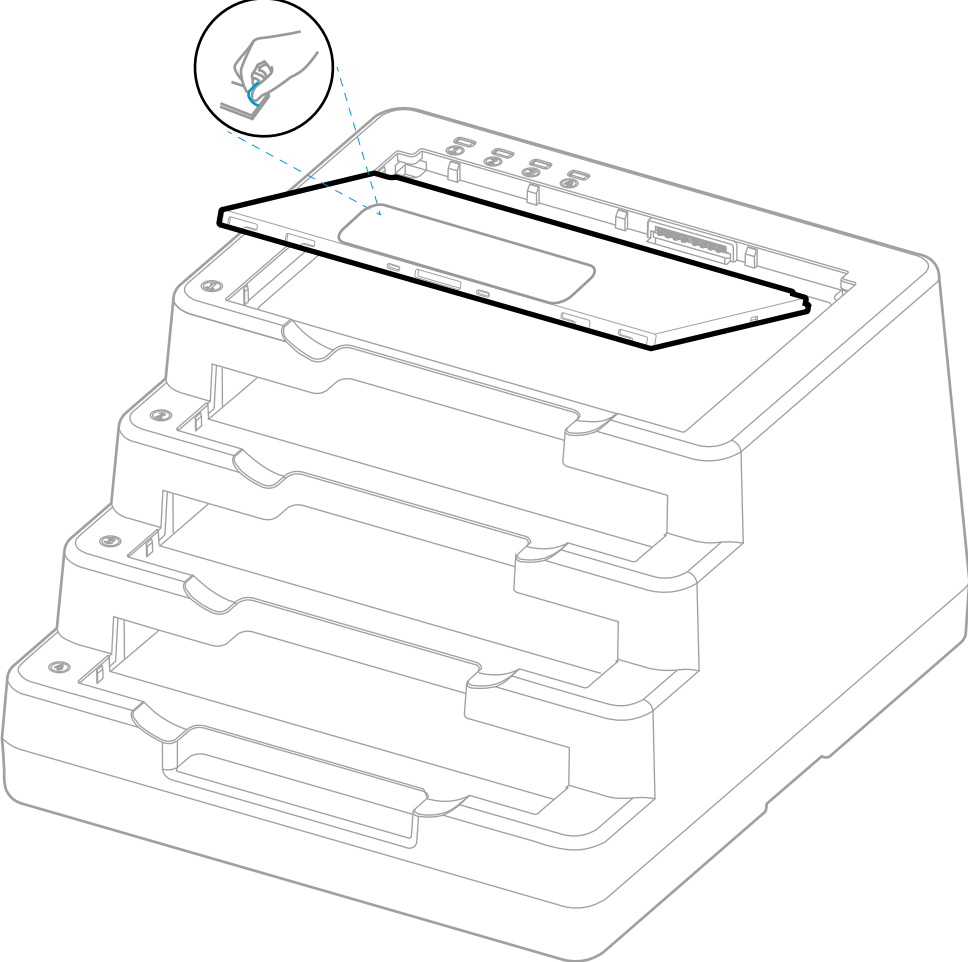
# Charge the Battery Pack

Remove the battery from the mobile computer. Insert the battery into one of the battery slots and press down.



# Remove the Battery Pack

Use the tab on the battery to lift it up and remove it from the battery charger.





# MOUNTING SOLUTIONS

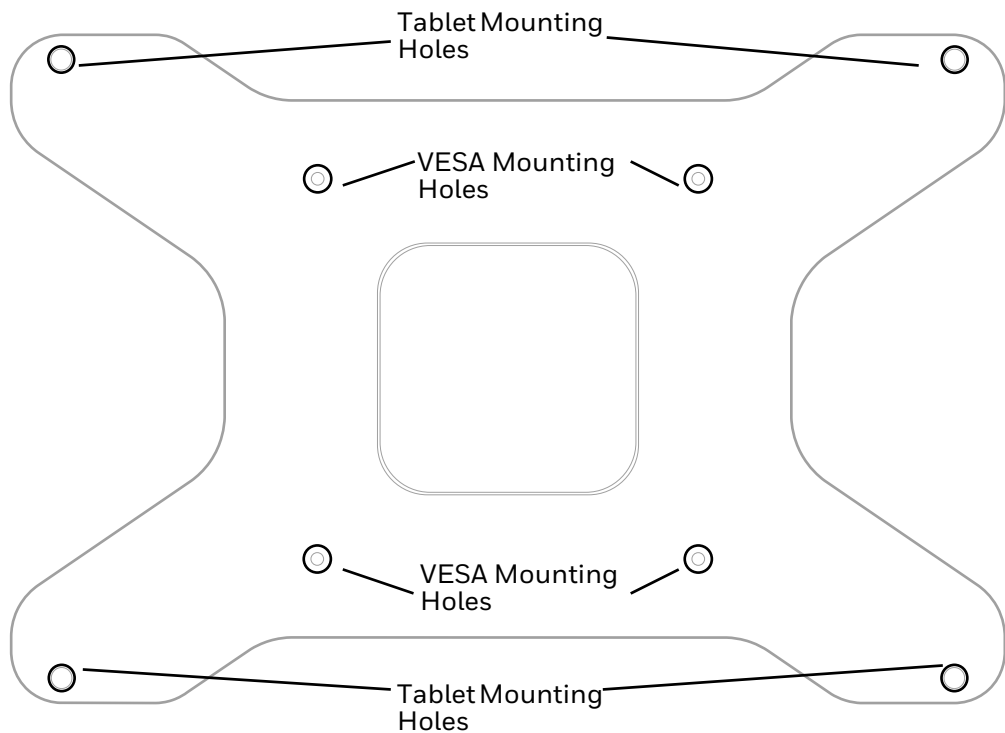
Honeywell offers the following mounting solutions for the ScanPal EDA10A Enterprise tablet:

- A VESA® adapter plate that installs directly onto the tablet (EDA10A-MNT-VS)

## VESA Mount

The EDA10A-MNT-VS is a VESA adapter plate that is installed directly onto the tablet. Use the VESA plate to secure the tablet to a stand or wall mount.

## Features



## Out of the Box

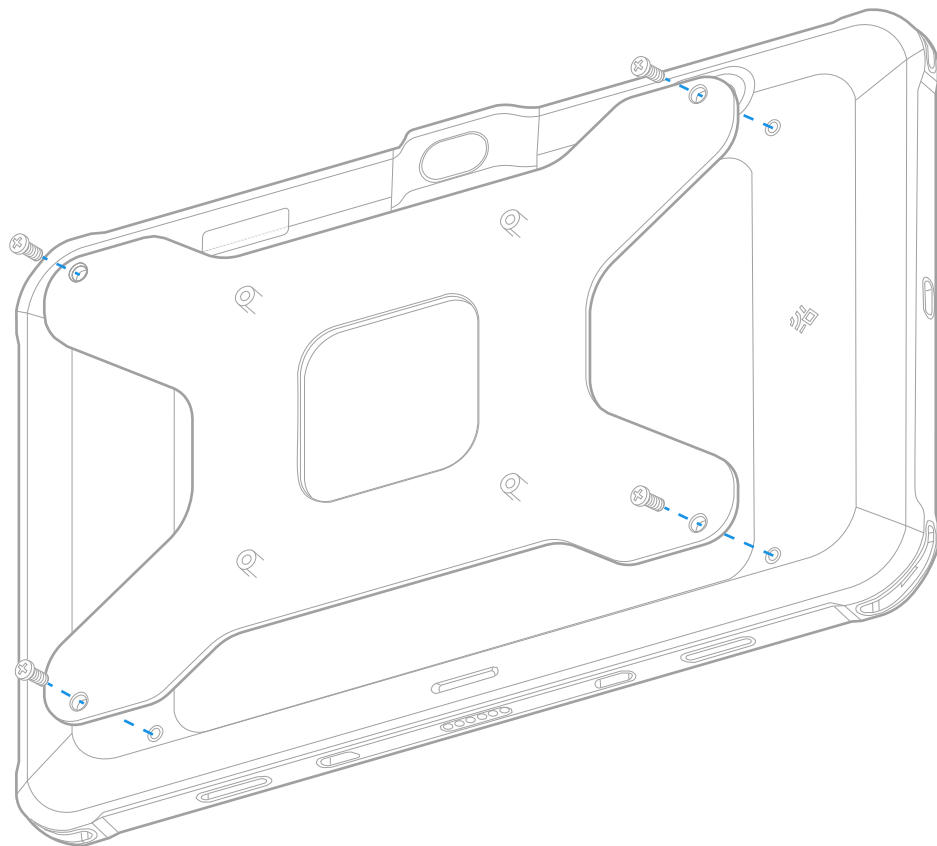
Make sure that your shipping box contains the following:

- VESA Mounting Plate (EDA10A-MNT-VS)
- Ten (10) M3X5.5 mounting screws

If any items are missing or appear damaged, contact your Customer Account Representative. Keep the original packaging in the event that you need to return the Rotating Hand Strap or if you want to store the hand strap while not in use.

## Installing the VESA Plate

To attach the VESA plate to the tablet, insert the M3x5.5 screws into the tablet mounting holes.



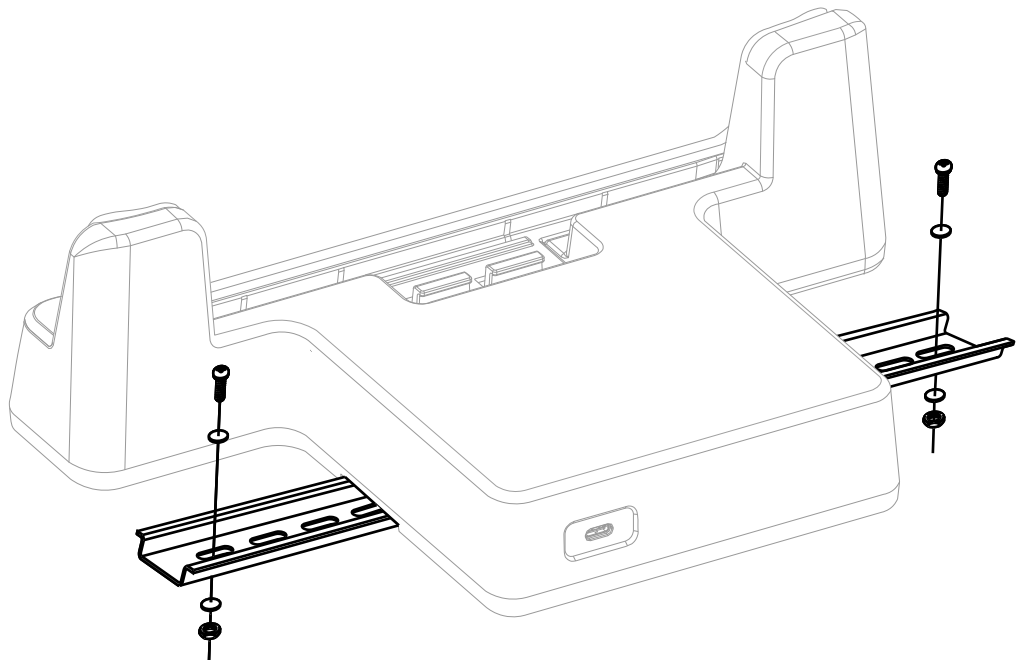
# MOUNT THE DOCK

## Mount a Dock

You can mount an EDA10A charging dock or display dock on a flat, horizontal surface such as a desktop or workbench with an optional DIN rail.

Mounting hardware required:

- DIN rail
  - 3/16-inch diameter x 5/8-inch long pan head screw
  - 1/2-inch OD x 7/32-inch ID x 3/64-inch thick washer
  - 3/16-inch diameter nut
1. Slide the DIN rail into the slot on the bottom of the charging dock.
  2. Secure the DIN rail to the flat surface with the hardware.







Honeywell  
855 S. Mint St.  
Charlotte, NC 28202

[sps.honeywell.com](https://sps.honeywell.com)